

Operation

1. Position the FX50 Fume Exhauster facing the work area.
2. Turn the Power Switch to the On ("1") position.
3. Adjust the angle of the exhauster to maximize fume removal. The angle can be easily adjusted by loosening the 2 Locking Knobs, tilting the exhauster housing to the desired position and tightening the Locking Knobs to secure the housing in place.

Maintenance

Periodic Maintenance

The FX50 Fume Exhauster requires no periodic maintenance except to replace the filter as necessary. The unit should be kept clean. If there is any noticeable damage to the FX50 Exhauster, replace the unit.

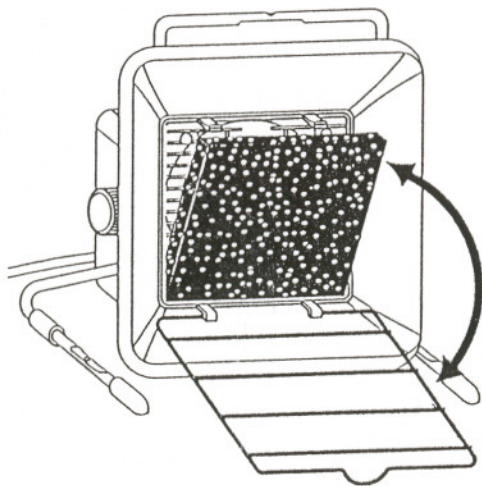
Filter Replacement

The filter should be replaced at least once a month or sooner under normal operating conditions. If the filter appears to be clogged with contaminants or dust, replace immediately. Three (3) filters are shipped with the FX50 Fume Exhauster.

Never allow the filter to become wet.

Procedure

1. Disconnect FX50 Fume Exhauster from AC Supply.
2. Pull the top of the Grille forward and remove old Filter.
3. Insert new Filter and close the Grille to secure new Filter in position.
5. Connect FX50 Fume Exhauster to AC supply.
6. Discard used Filter in accordance with Federal, State & Local regulations.



Replacement Parts

Replacement Filter (package of 5) - Order Part Number 8883-0200-P5
If power cord is defective, it must be replaced by an authorized PACE dealer.

SODRTEK[™] FX50

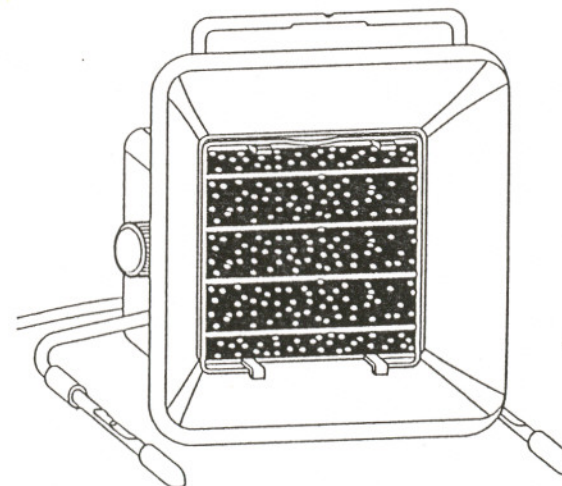
Fume Exhauster

Operation Manual

5050-0424, Rev. A

The SodrTek FX50 Fume Exhauster is designed to reduce the level of harmful contaminants from the work environment. Its powerful, high performance fan removes flux fumes generated during soldering or desoldering operations and pulls them into a replaceable activated carbon filter.

The information contained in this manual will provide you with the information necessary to properly install, operate and maintain the SodrTek FX50 Fume Exhauster.



Static Safe

For any questions regarding the following instructions, contact your local authorized dealer or contact SodrTek directly at:

Telephone (301) 490-9860, Fax (301) 604-8782

SODRTEK[™]

9893 Brewers Court
Laurel MD, U.S.A. 20723-1990

© 1997 SodrTek, Laurel MD. All rights reserved. Printed in the U.S.A.

Specifications

Power Requirements

Part No. 8884-0920 Operates on 115 VAC, 50/60 Hz, 17 Watts

Part No. 8884-0925 Operates on 230 VAC, 50/60 Hz, 17 Watts

Air Flow (with filter) - 1m³/minute (35 cfm)

Dimensions (reference)

250mm (9.83") Wide x 263mm (10.35") High x 164mm (6.45") Deep

Weight (reference)

1.6kg (3.5lb.)

Exhauster Housing

Static Safe plastic

Activated-CarbonFilter

Size - 130mm (5.1") Wide, 130mm (5.1") High, 9.53mm (0.375") Thick

Safety

The SodrTek FX50 Fume Exhauster is designed to reduce the level of harmful contaminants from the work environment and to assist in the achievement of recommended health and safety requirements for local exhaust and contaminant removal. Be sure to follow all operation & maintenance guidelines contained herein and precautions contained in other relevant product safety literature (i.e., Material Safety Data Sheets) provided with the substances and equipment producing the fumes to be exhausted.

The AC supply receptacle being used to power the FX50 Exhauster must be checked for proper grounding before initial installation.

Never Operate without Filter installed or without Grill in place.

Disclaimer

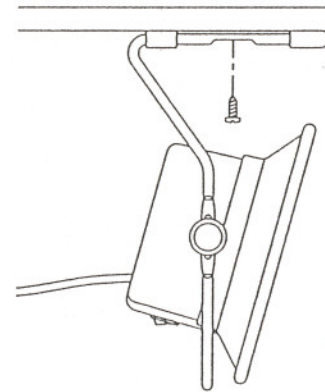
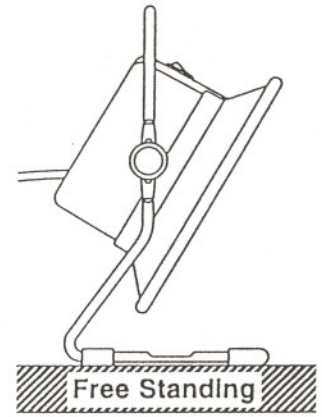
SodrTek hereby disclaims all responsibility for personal injury, property damage, fine, citation or penalty which results from misuse, improper maintenance, or improper application of this product. Compliance with all applicable environmental and personnel safety regulations is the sole responsibility of the user.

Set-Up

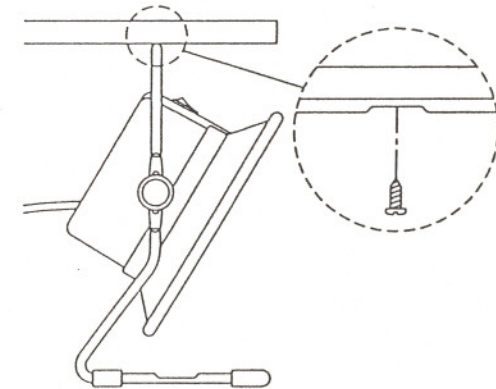
The FX50 Fume Exhauster is shipped fully assembled and will require only filter installation (see page 4, "Filter Replacement") and a selected Mounting Method before initial use.

Mounting Methods

The FX50 Fume Exhauster may be used free standing or mounted beneath an overhanging structure using mounting screws (not supplied). Use the "Mounting" illustrations shown as a guide.



Beneath Overhanging Structure
(two mounting screw attachment)



Beneath Overhanging Structure
(single mounting screw attachment)

Height Adjustment

The FX50 Fume Exhauster is mounted to its metal stand with 2 Locking Knobs. The knobs are installed through one of the 3 Mounting Holes on each side of the stand. To adjust the exhauster height, remove the knobs and install in other Mounting Holes. Ensure that the same height hole is used on each side of the FX50 stand.

